



TECHNICAL Practice

TELECOM SOLUTIONS FOR THE 21ST CENTURY

<p>M15W Paging Power Amplifier February 12, 2001</p>
--

Add More Power to Your Existing Paging System



M15W

The **M15W** is designed to add more paging power to almost any amplified paging product, or it may be used as a primary paging amplifier.

Audio can be input from a 600 ohm source or from an 8-ohm amplified source. The 15 watt output can drive an eight to four ohm load, or two separate two-ohm loads, which simplifies installation of up to eight 8-ohm speakers. Installation of up to 32 speakers is possible.

A power adapter and one **25AE** Paging Horn are included.

Note: The **M15W** is **NOT** compatible with talkback paging products such as **Viking's HF-2WC** and **HF-3W**.



25AE

Features

- Paging volume control
- Tone control
- 600 ohm input
- 8 ohm input
- 15 watts of paging power

Phone...715.386.8861

info@vikingelectronics.com

http://www.vikingelectronics.com

Made in the U.S.A.

Applications

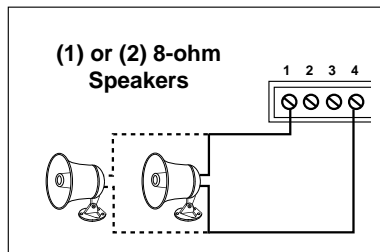
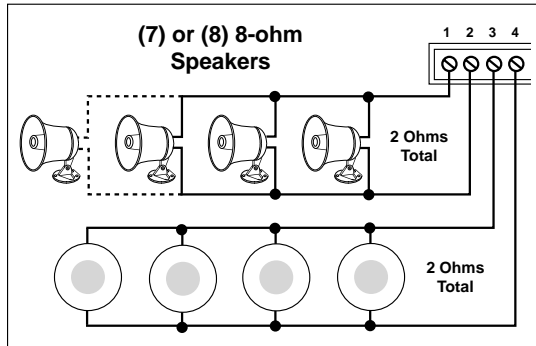
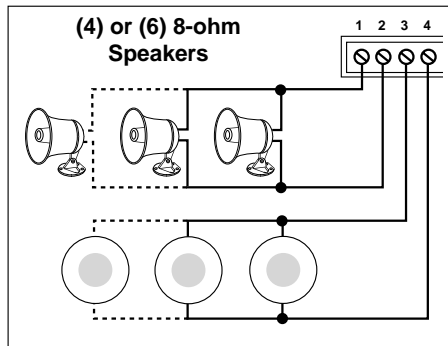
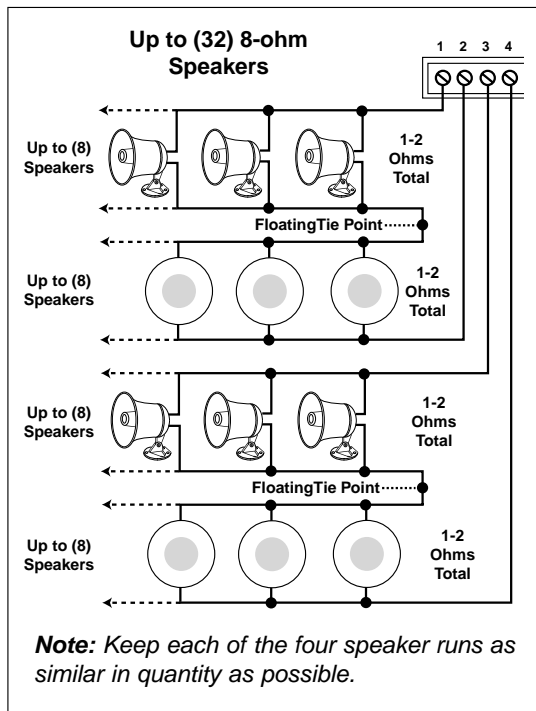
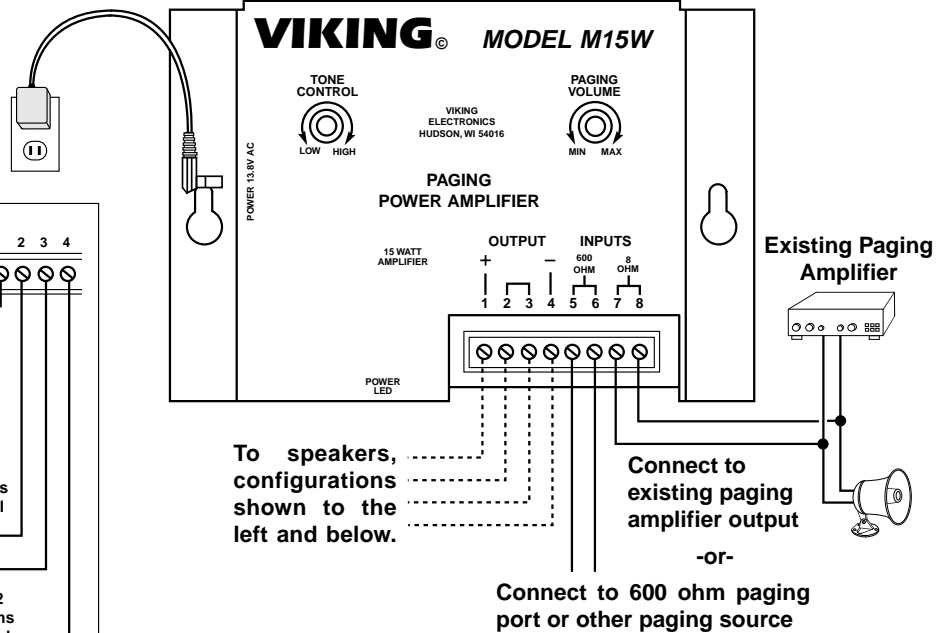
- Increase the power range of these **Viking** products: **PA-2A, CPA-7B, M2W, DVA-2W**
- Add paging amplification to these **Viking** products: **K-600D, CTG-1, MTG-10, PI-1, K-2000-DVA, FBI-1A, RAD-1** and **ZPI-4** (in 4-amplifier mode only)
- Use as a primary paging amplifier from a 600-ohm source
- Use as an additional amplifier from an 8 ohm source

Specifications

Power: 120V AC/13.8 VAC 1.25A, UL listed adapter provided
Dimensions: 133mm x 89mm x 44mm (5.25" x 3.5" x 1.75")
Shipping Weight: 1.0 kg (2.2 lbs)
Environmental: 0° C to 32° C (32° F to 90° F) with 5% to 95% non-condensing humidity
Paging Output: 15 watts - powers up to (32) 8-ohm speakers
Frequency Response: 100 - 10K Hz
Sound Pressure: 118 db @ 1 meter
Speakers: (1) 25AE 8-ohm paging horn included, (32) maximum
Maximum Speaker Run: 91m (300 ft) maximum 18 AWG
Connections: 8 position screw terminal block

Installation

(1) **25AE** Paging Horn included. Additional **25AE** Paging Horns and **30AE** Ceiling Speakers may be added. For more information, retrieve **Fax Back Document 498**.



Up to (20) 8-ohm Speakers Installed In Series

Use the chart below to figure each paging horn's sound pressure level at 1 meter for the number of speakers installed in series.

# of Speakers	Sound Pressure
2	112 dB
3	108 dB
4	106 dB
5	104 dB
6	102.5 dB
7	101 dB
8	100 dB
9	99 dB
10	98 dB
12	96 dB
14	95 dB
16	94 dB
18	93 dB
20	92 dB

The **M15W** amplifier output appears across pins 1 & 4 which can drive 8 to 4-ohm loads. Pins 2 & 3 are internally shorted which allows series connection of two lower impedance loads, to still maintain a 4 to 8-ohm load across the amplifier output, as shown.

Operation

The **M15W** is a power amplifier that amplifies the signal from a line level source (600 ohm input) or an already amplified source (8 ohm input). The signal passes through a gain adjustment (paging volume), a tone control and a high-efficiency class D amplifier. The amplifier is short circuit protected.

To keep background hum noise to a minimum, set the audio source to a loud setting and adjust the paging volume control on the **M15W** for the desired speaker volume level.

Product Support Line...715.386.8666

Fax Back Line...715.386.4345

Due to the dynamic nature of the product design, the information contained in this document is subject to change without notice. Viking Electronics, and its affiliates and/or subsidiaries assume no responsibility for errors and omissions contained in this information. Revisions of this document or new editions of it may be issued to incorporate such changes.