

VIKING

TECHNICAL Practice

TELECOM SOLUTIONS FOR THE 21ST CENTURY

VE-Series
Surface Mount Boxes
and Pedestal

June 3, 2002

Add Weather and Vandal Resistance While Surface Mounting Viking Products



VE-GNP shown with
VE-5x5 and E-30



VE-5x10 shown
with K-1900-8

The **VE-5x5**, **VE-6x7** and **VE-5x10** add vandal and weather resistance, as well as versatility to many Viking products.

The **VE-Series** backboxes are black powder painted steel, weather resistant boxes designed to be surface mounted to a single gang box, a wall or a **VE-GNP** gooseneck pedestal.

The **VE-5x5** is designed to be used with the **E-10**, **E-15** and **E-30** handsfree phones as well as the **W-1000** and **W-3000** handsfree doorboxes. The **VE-6x7** is designed to be used with the **K-1700-3** handsfree phone and the **VE-5x10** is designed to be used with the **K-1500-7**, **K-1900-7** and the **K-1900-8** vandal resistant phones.

The **VE-GNP** gooseneck pedestal is designed to be used with any of the **VE-Series** backboxes and is ideal for drive up communications.



VE-5x5 shown
with W-3000



VE-6x7 shown
with K-1700-3

Phone...715.386.8861

info@vikingelectronics.com

Features

- Mounts to a single gang box
- Mounts to the **VE-GNP** gooseneck pedestal (40")
- Adds weather and vandal resistance
- Heavy duty, black powder painted steel

<http://www.vikingelectronics.com>

Made in the U.S.A.

Applications

The **VE-5x5** surface mounts the following:

- **E-10/E-15** Handsfree Phones (Fax Back Doc 210)
- **E-30** Handsfree Phone with Dialer (Fax Back Doc 212)
- **W-1000** Door Intercom (Fax Back Doc 170)
- **W-3000** Advanced Stainless Door Intercom (Fax Back Doc 180)

The **VE-6x7** surface mounts the following:

- **K-1700-3** Handsfree Stainless Phone with Keypad (Fax Back Doc 157)

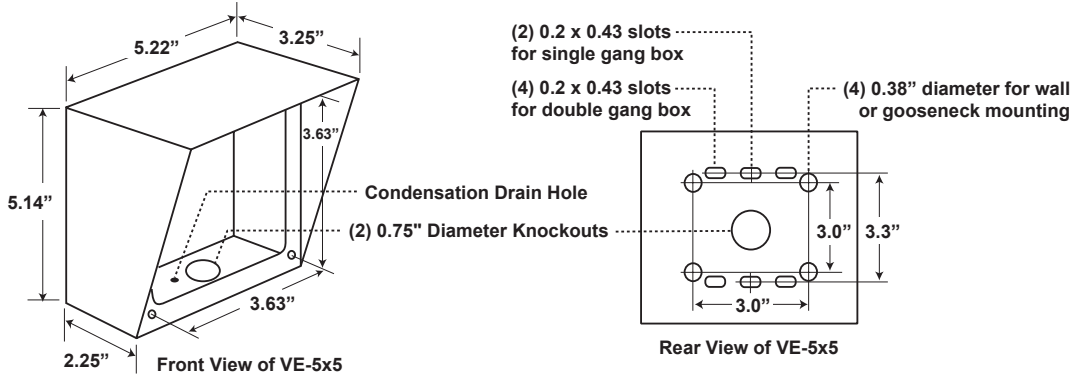
The **VE-5x10** surface mounts the following:

- **K-1500-7** Stainless Panel Phone (Fax Back Doc 352)
- **K-1900-7** Stainless Panel Phone with Dialer (Fax Back Doc 360)
- **K-1900-8** Stainless Panel Phone with Dialer and Keypad (Fax Back Doc 362)

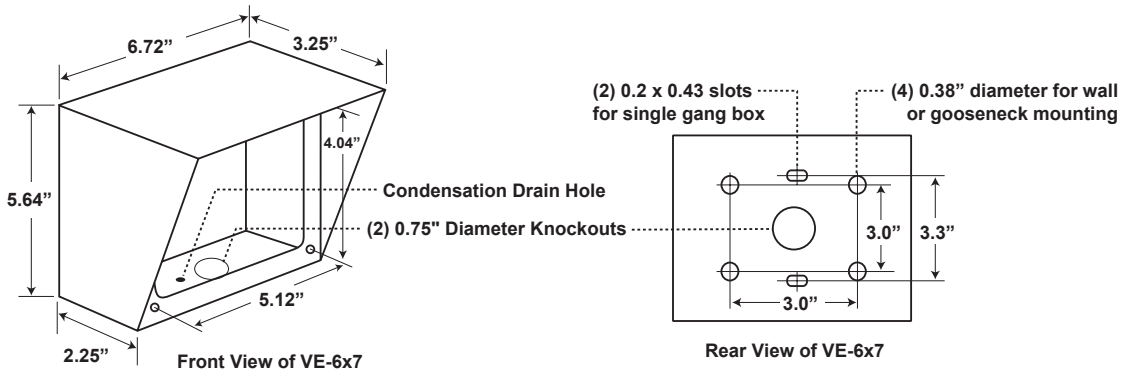
The **VE-GNP** Gooseneck Pedestal can be used to mount any of the above **VE-Series** boxes

Installation and Specifications

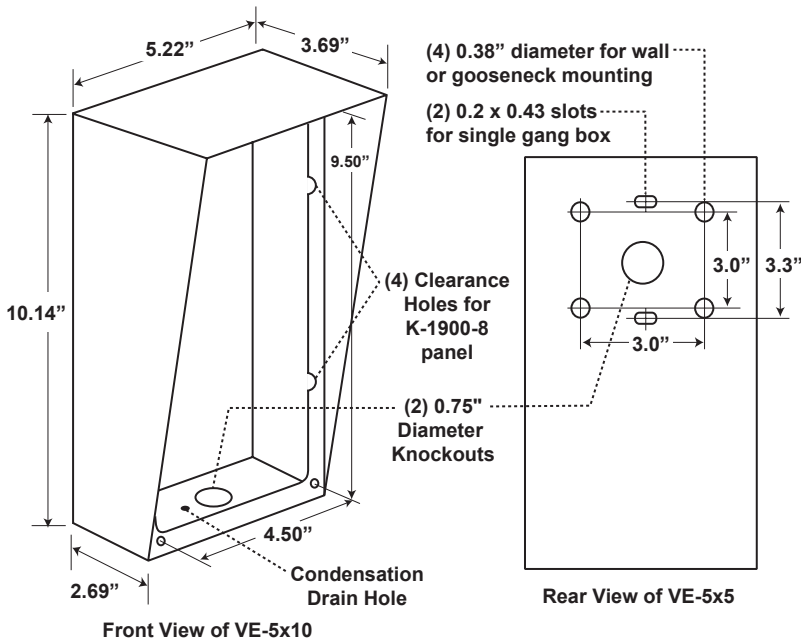
A. VE-5x5 Surface Mount Box



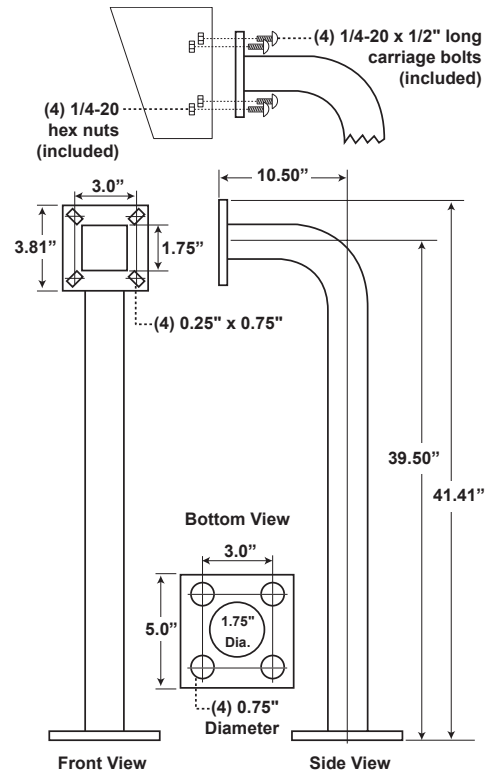
B. VE-6x7 Surface Mount Box



C. VE-5x10 Surface Mount Box



D. VE-GNP Gooseneck Pedestal



Product Support Line...715.386.8666

Fax Back Line...715.386.4345

Due to the dynamic nature of the product design, the information contained in this document is subject to change without notice. Viking Electronics, and its affiliates and/or subsidiaries assume no responsibility for errors and omissions contained in this information. Revisions of this document or new editions of it may be issued to incorporate such changes.