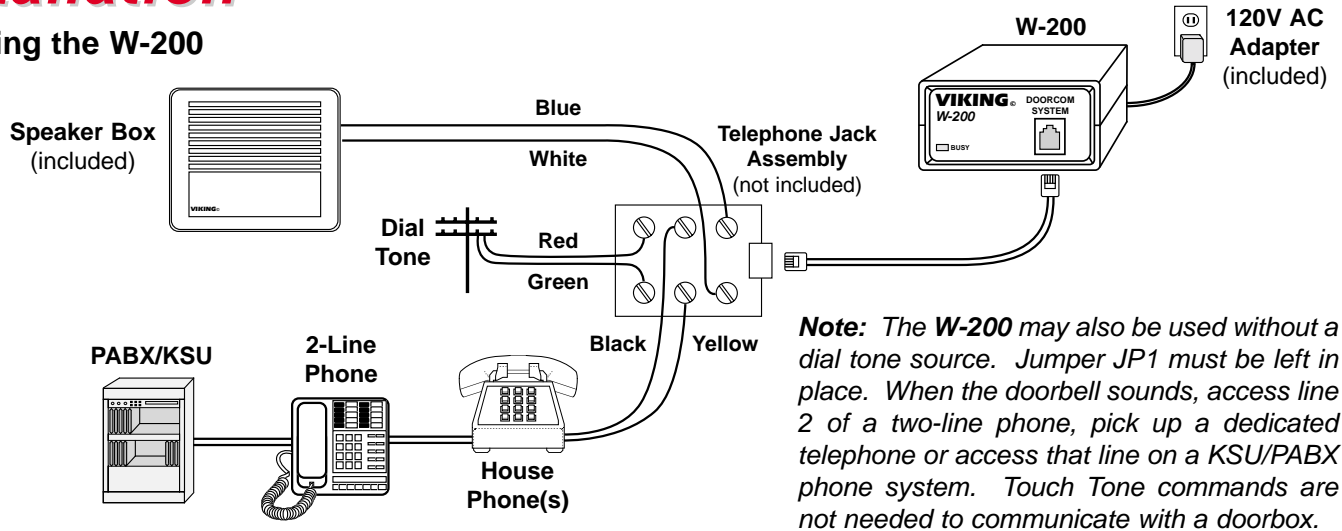
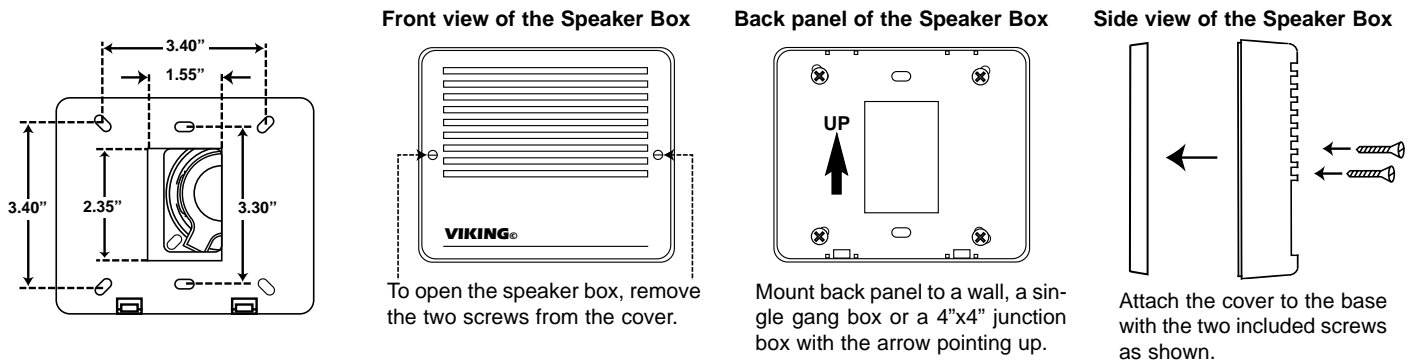


Installation

A. Wiring the W-200



B. Mounting the W-200



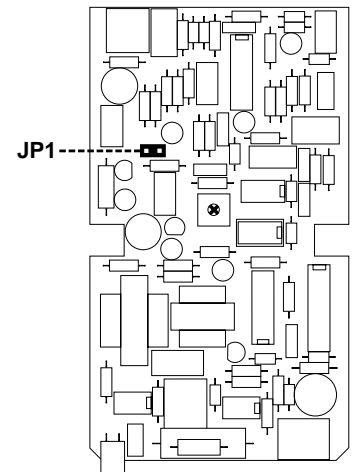
Programming

A. Accessing Dial Tone

To gain access to C.O. dial tone, dial a Touch Tone "9", then follow the operating examples below. When using private dial tone, remove **JP1** shunt (see diagram to the right). **Note:** Disconnect power and modular cord prior to removing the cover of the W-200. Phones will instantly have dial tone for making calls. Follow the Operating Examples, in the table below, for speaker box access.

Operating Examples	Enter Digits
To access the speaker box (disconnects the call in progress)	*9 or #9
To place the call on hold and the speaker box	*0 or #0
To return a call placed on hold	* or #

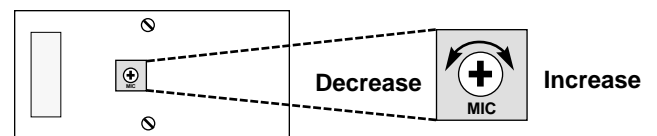
Internal View of the W-200



B. Microphone Volume

In certain noisy locations the microphone sensitivity may need to be decreased. A pot is provided on the bottom of the W-200 to increase (clockwise) or decrease (counterclockwise) the microphone sensitivity. **Note:** The POT comes factory set to the middle position.

Bottom View of the W-200



Product Support Line...715.386.8666

Fax Back Line...715.386.4345

Due to the dynamic nature of the product design, the information contained in this document is subject to change without notice. Viking Electronics, and its affiliates and/or subsidiaries assume no responsibility for errors and omissions contained in this information. Revisions of this document or new editions of it may be issued to incorporate such changes.